

Technical sheet :

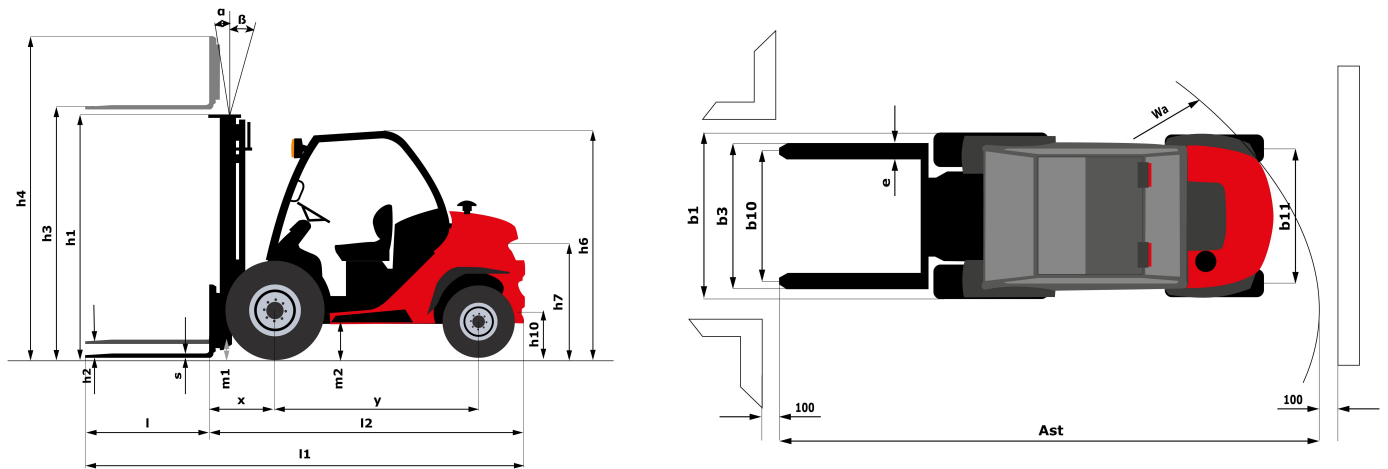
MSI 35 S5



Technical characteristics			Metric
1.1	Manufacturer		Manitou
1.2	Model Name		MSI 35 s5
1.3	Power source		Diesel
1.4	Operator type		Seated
1.5	Max. capacity	Q	3500 kg
1.6	Load centre of gravity	c	500 mm
1.8	Load distance, centre of drive axle to fork	x	631 mm
1.9	Wheelbase	y	1900 mm
Weight			
2.1	Service Weight		4645 kg
2.2	Weight on front axle (laden) / rear axle (laden)		7260 kg / 885 kg
2.3	Weight on front axle (Unladen) / rear axle (Unladen)		1680 kg / 2965 kg
Wheels			
3.1	Tyres type		Pneumatic
3.2	Dimensions of front wheels		300-15/18 6T P43
3.3	Dimensions of rear wheels		7.00-12/12 ED PLUS
3.5	Number of front wheels / rear wheels		2 / 2
3.2	Number of drive wheels		2
3.6	Front wheel gauge	b10	1044 mm
3.7	Rear wheel	b11	1108 mm
Dimensions			
4.1	Tilt of Mast Forward (deg) / Backward (deg)	α / β	10 / 12
4.7	Overall height of standard overhead guard	h6	2.095 m
4.8	Seat height/stand height	h7	972 mm
4.19	Overall length	l1	4239 mm
4.20	Length to face of forks	l2	3189 mm
4.21	Overall width	b1	1330 mm
4.22	Forks section / width / length	s / e / l	50 mm x 122 mm x 1150 mm
4.23	Fork carriage ISO 2328 (class/form) A/B		3A
4.24	Fork carriage width	b3	1260 mm
4.31	Ground clearance below mast	m1	260 mm
4.32	Ground clearance at centre of wheelbase	m2	238 mm
4.35	Turning radius	Wa	2680 m
Performances			
5.1	Travel speed (laden / unladen)		18 km/h / 22 km/h
5.2	Lifting speed (laden / unladen)		0.5 Nm / 0.5 Nm
5.3	Lowering speed (laden / unladen)		0.5 Nm / 0.3 Nm
5.5	Drawbar pull (Laden / Unladen)		2070 daN / 1380
5.7	Gradeability - laden / unladen (%)		26 % / 31
5.10	Service brake		Hydraulic brakes by loss of pressure
Engine			
7.1	Engine brand / model / norm		Kubota / D1803 CRT E5B / Stage V
7.2	Engine power according to ISO 1585		36 kW
7.3	Rated speed (rpm)		2700

	Engine		
7.4	Number of cylinders / Capacity of cylinders		4-2434 cm ³
	Miscellaneous		
8.1	Type of drive control		Cable
8.2	Working hydraulic pressure for attachments (bar)		180 Bar
8.3	Oil flow rate for attachments (l/min)		70
8.4	Measured/guaranteed mean noise level at the ear of the operator		80

Dimensional drawing



Characteristics of masts and residual capacities

Full Visibility Duplex		FVD 30	FVD 33	FVD 37	FVD 40	FVD 45
h2 - Free lift	mm	90	90	90	90	90
h1 - Height mast Lowered	mm	3650	2286	2546	2736	2986
h3 - Lifting Height	mm	3000	3300	3700	4000	4500
h4 - Height mast extended	mm	3738	4038	4438	4738	5238
α / β - Mast inclination (front / rear)	---	10 / 12	10 / 12	10 / 12	10 / 12	10 / 12
Residual capacity at max height	kg	3500	3500	3500		
Residual Capacity without attachment (Industrial load chart)	kg	3500	3500	3500		
Height at max capacity	mm	3000	3300	3700		

Free Lift Triplex		FLT 34	FLT 37	FLT 40	FLT 43	FLT 47	FLT 55	FLT 60
h2 - Free lift	mm	1208	1308	1408	1558	1658	2008	2258
h1 - Height mast Lowered	mm	1936	2036	2136	2286	2386	2736	2986
h3 - Lifting Height	mm	3400	3700	4000	4300	4700	5500	6000
h4 - Height mast extended	mm	4184	4484	4784	5084	5484	6284	6784
α / β - Mast inclination (front / rear)	---	10 / 12	10 / 12	10 / 12	10 / 12	10 / 12	6 / 6	6 / 6
Residual capacity at max height	kg	3500		300				
Residual Capacity without attachment (Industrial load chart)	kg	3500						
Height at max capacity	mm	3400						

Full Visibility Triplex		FVT 33
h2 - Free lift	mm	82
h1 - Height mast Lowered	mm	1826
h3 - Lifting Height	mm	3300
h4 - Height mast extended	mm	4027
α / β - Mast inclination (front / rear)	---	10 / 12



Siège Social
430 rue de l'Aubinière - 44150 Ancenis Cedex - France
Tel: +33(0)2 40 09 10 11 - Fax: +33 (0)2 40 09 10 97
www.manitou.com



This brochure describes versions and configuration options for Manitou products which may be fitted with different equipment. The equipment described in this brochure may be standard, optional or not available depending on version. Manitou reserves the right to change the specifications shown and described at any time and without prior warning. The manufacturer is not liable for the specifications given. For more information, contact your Manitou dealer. Non-contractual document. Product descriptions may differ from actual products. List of specifications is not comprehensive. The logos and visual identity of the company are the property of Manitou and may not be used without authorisation. All rights reserved. The photos and diagrams contained in this brochure are provided for information only.

MANITOU BF SA - Limited company with board of directors - Share capital: 39,547,824 euros - 857 802 508
RCS Nantes